

Series 3793

TROVIS 3793 Electropneumatic Positioner with HART® communication



Application

Single-acting or double-acting positioner for attachment to pneumatic control valves. Self-calibrating, automatic adaptation to valve and actuator.

Set point	4 to 20 mA
Valve travel	3.6 to 300 mm
Opening angle	24 to 170°

The positioner ensures a predetermined assignment of the valve position to the input signal. It compares the input signal received from a control system to the travel or rotational angle of the control valve and issues a corresponding output signal pressure (output variable).

Special features

- High air capacity
- Modular design: simple to install or exchange pneumatic or option modules
- Simple attachment to all common linear and rotary actuators:
 - SAMSON direct attachment
 - NAMUR rib
 - Attachment to rod-type yokes according to IEC 60534-6-1
 - Attachment according to VDI/VDE 3847
 - Rotary actuator attachment according to VDI/VDE 3845
- Non-contact position sensing
- Plain-text display with NAMUR Recommendation NE 107 states and messages on the device
- Integrated diagnostic functions
- Simple one-knob, menu-driven operation
- LCD easy to read in any mounted position due to selectable reading direction
- Configurable with a computer over the SSP interface using the TROVIS-VIEW software
- Variable, automatic start-up with four different initialization modes
- Sub (substitution) initialization mode allows the positioner to be started up in case of emergency whilst the plant is running without having to change the valve position.
- All parameters saved in non-volatile EEPROM
- Two-wire system with a small electrical load of 495 Ω
- Activatable tight-closing function
- Continuous zero monitoring
- Integrated temperature sensor and operating hours counter
- Self-diagnostics, messages as condensed state conforming to NAMUR Recommendation NE 107
- Integrated EXPERTplus diagnostics for control valves (▶ T 8389-2)
- Pressure sensors to monitor the supply air and signal pressure
- Air capacity adjustable by software



Fig. 1: TROVIS 3793 Electropneumatic Positioner

Associated Information Sheet

T 8350

Design and principle of operation

The TROVIS 3793 Electropneumatic Positioner is mounted on pneumatic control valves and used to assign the valve position (controlled variable x) to the control signal (set point w). The positioner compares the electric control signal of a control system to the travel or opening angle of the control valve and issues a signal pressure for the pneumatic actuator. The positioner mainly consists of a non-contact travel sensor system (2), pneumatics and the electronics with the microcontroller (4). The output of the standard version is either single or double acting; which means both the Output 138 and Output 238 can provide the output variable and route the signal pressure to the actuator.

The positioner can be configured to meet requirements of an application by adding a maximum of two pneumatic modules (A, B) and electronic option modules (C, D). The pneumatic modules mainly consist of a microcontroller, which operates an i/p converter with downstream spool valve. Depending on the actuator used, an output of the positioner can be sealed to achieve a single-acting function. The option modules additionally provide individual functions, e.g. recognition of the end positions.

The valve position is transmitted either as an angle of rotation or a travel to the pick-up lever, from there to the travel sensor (2) and forwarded to the microcontroller (4). The PID algorithm in the microcontroller compares the valve position measured by the travel sensor (2) to the 4 to 20 mA DC control signal issued by the control system after it has been converted by the A/D converter (3). In case of a set point deviation, the pneumatic module (A, B) causes the actuator (1) to be either vented or filled with air. As a result, the closure member of the valve (e.g. plug) is moved to the position determined by the set point.

The pneumatic module is supplied with air. The flow rate of the module's output can be restricted by software.

The positioner is operated by a rotary pushbutton (9) for menu navigation on the plain-text display (8).

The extended EXPERTplus diagnostics are integrated into the positioner. They provide information on the control valve and positioner and generate diagnostic and status messages, which allow faults to be pinpointed quickly.

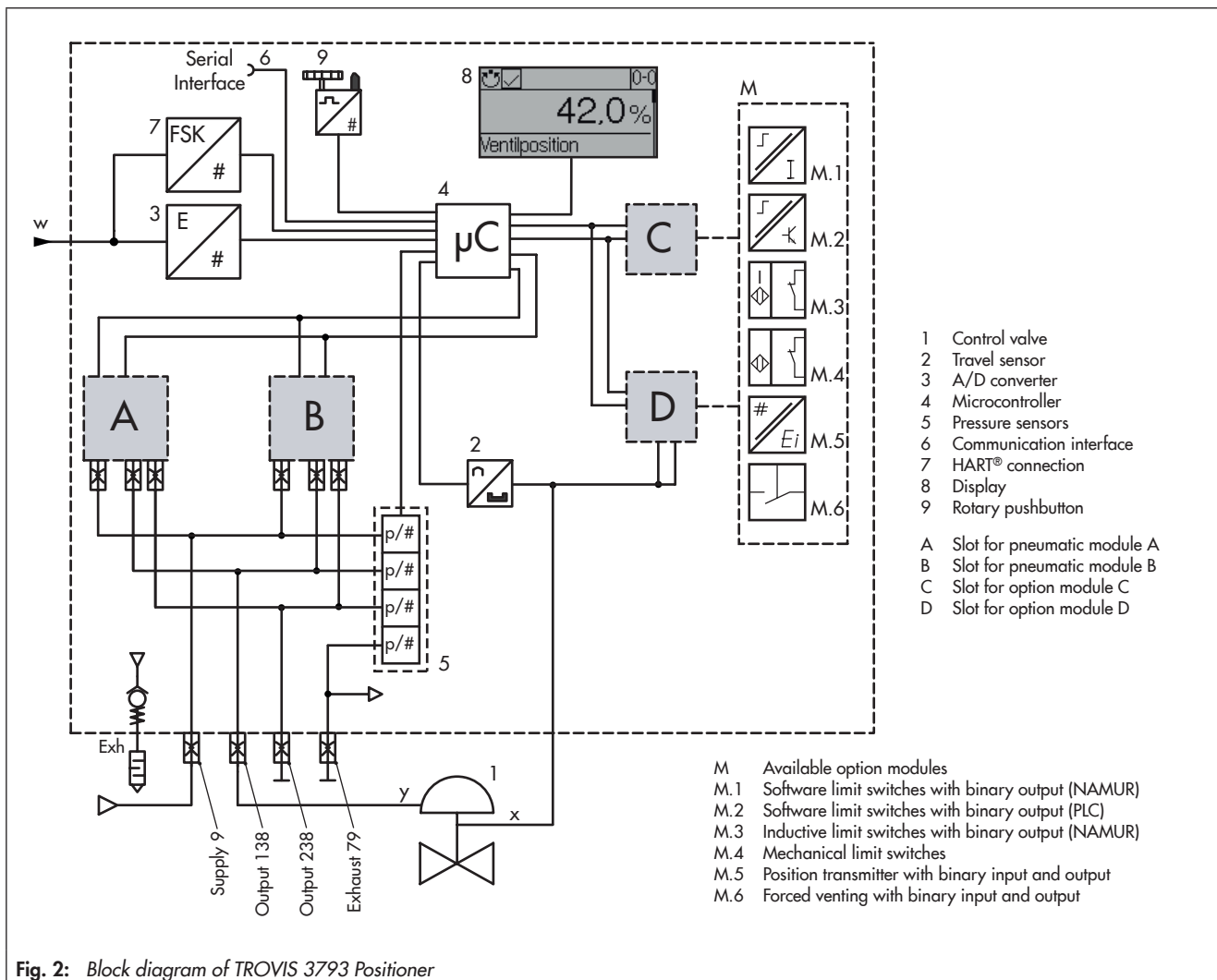


Fig. 2: Block diagram of TROVIS 3793 Positioner

Technical data · TROVIS 3793 Positioner





Travel	
Adjustable travel for	Direct attachment to Type 3277: 3.6 to 30 mm Attachment according to IEC 60534-6 (NAMUR): 5 to 300 mm Attachment according to VDI/VDE 3847: 5 to 300 mm Attachment to rotary actuators: 24 to 100° (170° ¹⁾)
Set point w	
Signal range	4 to 20 mA, two-wire device, reverse polarity protection, split-range operation (can be configured as required, minimum span 4 mA)
Static destruction limit	40 V, internal current limit approx. 40 mA
Minimum current	3.75 mA for display/operation (HART® communication and configuration) 3.90 mA for pneumatic function
Load impedance	≤ 9.9 V (corresponds to 495 Ω at 20 mA)
Supply air	
Supply air	2.5 to 10 bar/30 to 150 psi
Air quality acc. to ISO 8573-1	Max. particle size and density: Class 4 Oil content: Class 3 Pressure dew point: Class 3 or at least 10 K below the lowest ambient temperature to be expected
Signal pressure (output)	0 bar up to supply pressure
Hysteresis	≤ 0.3 %
Sensitivity	≤ 0.1 %, adjustable by software
Start-up time	After interrupted operation < 300 ms: 100 ms After interrupted operation > 300 ms: ≤ 2 s
Transit time	Up to 10000 s separately adjustable for exhaust and supply air by software
Direction of action	Reversible
Air consumption ²⁾	≤ 300 l _n /h with 6 bar supply pressure, depending on module
Air output capacity (when Δp = 6 bar)	
To fill actuator with air	32 m _n ³ /h with a pneumatic module (K _{V max (20 °C)} = 0.34)
	60 m _n ³ /h with two pneumatic modules of the same sort (K _{V max (20 °C)} = 0.64)
To vent actuator	37 m _n ³ /h with a pneumatic module (K _{V max (20 °C)} = 0.40)
	70 m _n ³ /h with two pneumatic modules of the same sort (K _{V max (20 °C)} = 0.75)
Environmental conditions and permissible temperatures	
Permissible environmental conditions according to EN 60721-3	
Storage	1K6 (relative humidity ≤ 95 %)
Transport	2K4
Operation	4K4 -20 to +85 °C: All versions -40 to +85 °C: With metal cable glands -55 to +85 °C: Low-temperature versions with metal cable glands Observe the limits in the test certificate for explosion-protected versions.
Resistance to vibration	
Vibrations (sinusoidal)	According to DIN EN 60068-2-6: 0.15 mm, 10 to 60 Hz; 20 m/s ² , 60 to 500 Hz per axis 0.75 mm, 10 to 60 Hz; 100 m/s ² , 60 to 500 Hz per axis
Bumps (half sine)	According to DIN EN 60068-2-29: 150 m/s ² , 6 ms; 4000 bumps per axis
Noise	According to DIN EN 60068-2-64: 10 to 200 Hz: 1 (m/s ²) ² /Hz; 200 to 500 Hz: 0.3 (m/s ²) ² /Hz; 4 h/axis
Recommended continuous operation	≤ 20 m/s ²

¹⁾ On request

²⁾ Based on temperature range -40 to +85 °C

Influences	
Temperature	≤0.15%/10 K
Supply air	None
Requirements	
EMC	Complying with EN 61000-6-2, EN 61000-6-3, EN 61326-1 and NAMUR Recommendation NE 21
Degree of protection	IP 66
Compliance	CE
Electrical connections	
Cable glands	Max. four, M20 x 1.5 or ½ NPT
Terminals	Screw terminals for 0.2 to 2.5 mm ² wire cross-section (max. 1.5 mm ² with the option modules)
Explosion protection	
ATEX, IECEx	See table for explosion protection certificates
Materials	
Housing and cover	Die-cast aluminum EN AC-ALSi12(Fe) (EN AC-44300) acc. to DIN 1706, chromated and powder paint coated
Window	Makrolon® 2807
Cable glands	Polyamide, nickel-plated brass, stainless steel 1.4305
Other external parts	Stainless steel 1.4571 and 1.4404 (316 L)
Weight	
	1.4 to 1.6 kg (depending on version)

Summary of explosion protection certificates for TROVIS 3793 Positioner

	Certification			Type of protection/comments
		Number		
TROVIS 3793-	-110  EU type examination certificate	Number	BVS 16 ATEX E117	II 2 G Ex ia IIC T4/T6 Gb II 2 D Ex ia IIIC T 85 °C Db
	-510  EU type examination certificate	Number	BVS 16 ATEX E117	II 2 D Ex tb IIIC T 85 °C Db
	-810  EU type examination certificate	Number	BVS 16 ATEX E117	II 3 G Ex nA IIC T4/T6 Gc II 2 D Ex tb IIIC T 85 °C Db
	-850  EC type examination certificate	Number	BVS 16 ATEX E123	II 3 G Ex nA IIC T4/T6 Gc
	-111 IECEX	Number Date	IECEX BVS 16.0084 2016-12-07	Ex ia IIC T4/T6 Gb Ex ia IIIC T 85 °C Db
	-511 IECEX	Number Date	IECEX BVS 16.0084 2016-12-07	Ex tb IIIC T 85 °C Db
	-811 IECEX	Number Date	IECEX BVS 16.0084 2016-12-07	Ex nA IIC T4/T6 Gc Ex tb IIIC T 85 °C Db
	-851 IECEX	Number Date	IECEX BVS 16.0084 2016-12-07	Ex nA IIC T4/T6 Gc
	-130 FM	Number Date	FM16CA0218X 2018-01-06	IS Class I, II, III, Division 1, Groups A, B, C, D, E, F, G; Type 4X NI Class I, II, III, Division 2, Groups A, B, C, D, E, F, G; Type 4X Class I, Zone 1, AEx ia IIC; Type 4X

Operation

The positioner is operated using one proven, user-friendly rotary pushbutton: the various menu levels, parameters and values are selected by turning the button. By pressing the button, the required setting is activated. All parameters can be checked and changed on site.

All values are displayed on the plain-text display. The reading direction of the display can be rotated by 180°.

The initialization key activates initialization which is started according to the ready adjusted parameters (autotune). After

initialization is completed, the positioner immediately starts closed-loop operation.

To configure the positioner with SAMSON's TROVIS-VIEW software, the positioner is equipped with an additional digital interface to be connected to the USB interface of a computer using an adapter.

Additionally, all parameters of the TROVIS 3793 Positioner can be accessed using HART® communication.

Mounting the positioner

The positioner can be attached directly to the Type 3277 Actuator (175 to 750 cm²) over a connection block. In actuators with "actuator stem extends" fail-safe action, the signal pressure is routed over an internal hole in the actuator yoke to the actuator. In actuators with "actuator stem retracts" fail-safe action, the signal pressure is routed to the actuator over ready-made external piping.

Using the appropriate bracket, the positioner can also be attached according to IEC 60534-6-1 (NAMUR recommendation). The positioner can be mounted on either side of the control valve.

A pair of universal brackets is used for the attachment to Type 3278 Rotary Actuators or other rotary actuators according to VDI/VDE 3845. The rotary motion of the actuator is transferred to the positioner over a coupling wheel with travel indication.

A special version of the positioner allows it to be attached according to VDI/VDE 3847. This type of attachment allows the positioner to be replaced quickly while the process is running by blocking the air in the actuator. The positioner can be attached directly to the Type 3277 Actuator using an adapter bracket or adapter block. Alternatively, it can be attached to the NAMUR rib of a control valve using an additional NAMUR connection block.

Version

The TROVIS 3793 Electropneumatic Positioner can be used as a single or double-acting positioner, depending on the combination of the available pneumatic modules.

The modular design also allows diverse optional additional functions (option modules) to be added and adapt the positioner on site to the specific requirements.

- **TROVIS 3793** · Electropneumatic positioner for control valves, HART® communication, on-site operation, local communication with SSP interface, EXPERTplus diagnostics, pressure sensors to monitor the supply air and signal pressure

Optional modules

The modular design of the TROVIS 3793 Positioner allows it to be adapted to specific requirements. The air capacity and direction of action can be varied by the installation of different pneumatic modules (Fig. 3). Optional additional functions are available by using option modules (Fig. 4 and Fig. 5).

If the positioner is ordered with additional pneumatic modules and/or option modules, they are ready installed and connected upon delivery.

Table 1: Available pneumatic modules

Article code	Function
P3799-0000	Dummy module (seals the slot connections and must be used when only one pneumatic module is installed)
P3799-0001	Output 138 and Output 238 module (single and double acting)
P3799-0002	Output 138 module (single acting)
P3799-0003	Output 238 module (single acting)

Table 2: Available option modules

Article code	Function							
	Inductive limit switches	Mechanical limit switches	Software limit switches (NAMUR)	Software limit switches (PLC)	Analog position transmitter	Forced venting	Binary input	Binary output
Z3799-xxx10			•					•
Z3799-xxx11			•					•
Z3799-xxx15	•							•
Z3799-xxx30		•						
Z3799-xxx40			•		•	•		•
Z3799-xxx80						•	•	•

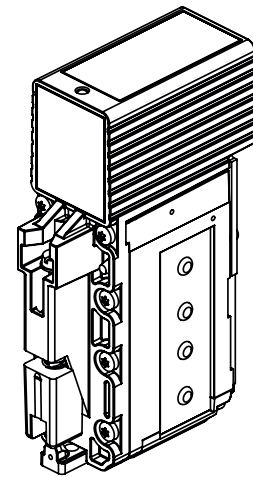


Fig. 3: Pneumatic module

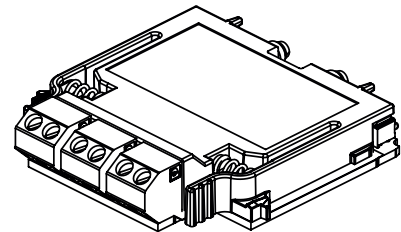


Fig. 4: Option module

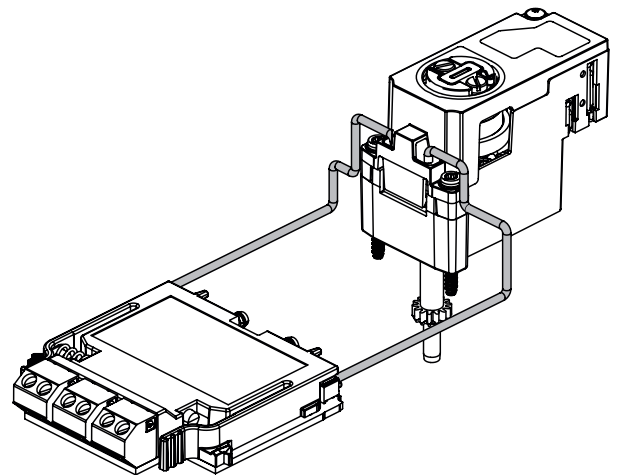


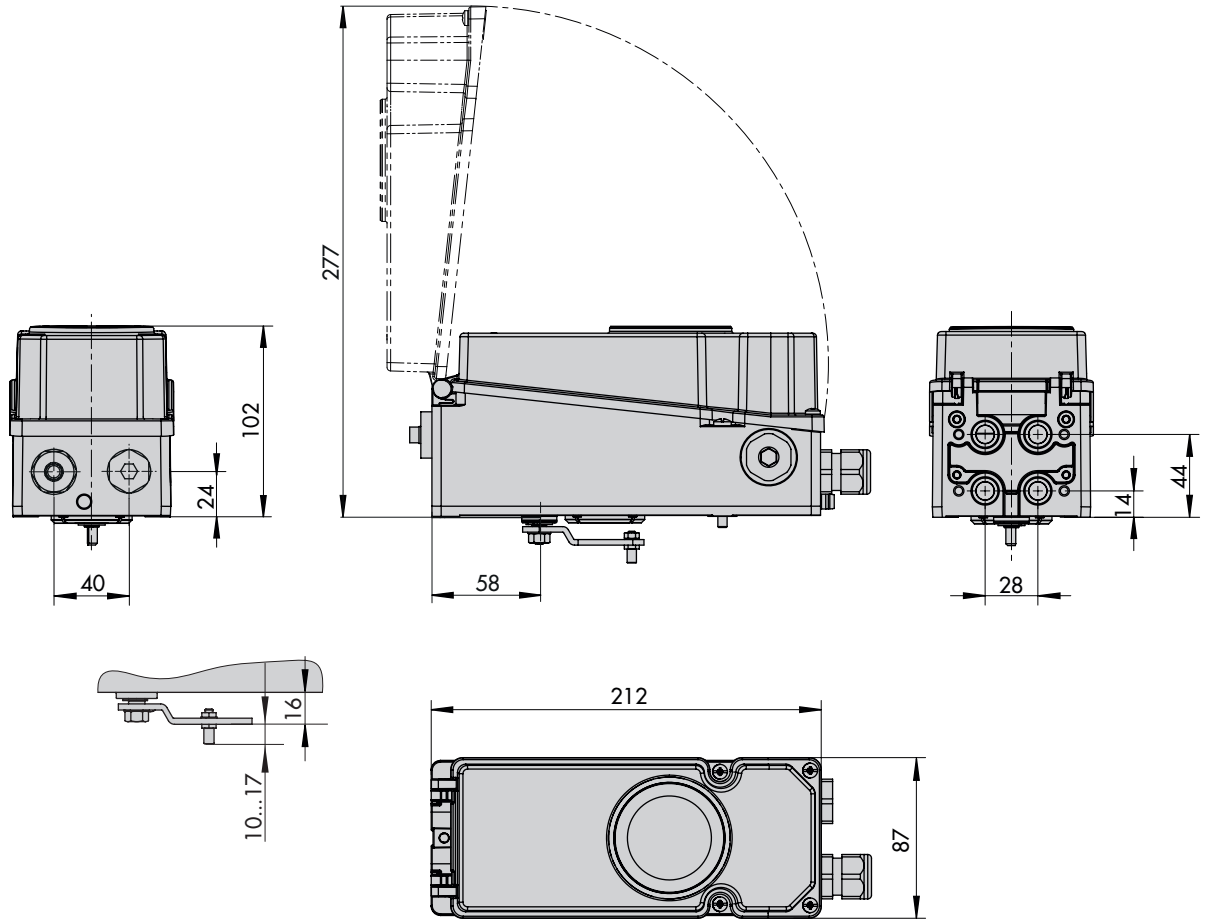
Fig. 5: Option module with hardware limit switches

Technical data · Optional additional functions

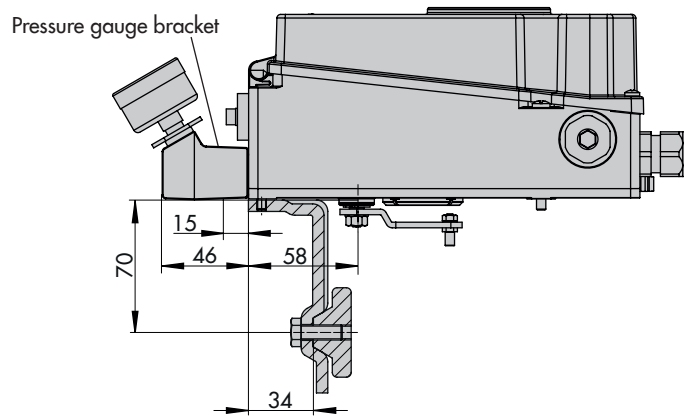
Analog position transmitter		
Version	Two-wire system, galvanic isolation, reverse polarity protection, reversible direction of action	
Auxiliary power	10 to 30 V DC	
Output signal	4 to 20 mA	
Workspace	3.8 to 20.5 mA (according to NAMUR Recommendation NE 43)	
Error indication	2.4 or 21.6 mA	
No-load current	1.4 mA	
Static destruction limit	38 V DC · 30 V AC	
Software limit switches		
	NAMUR	PLC
Version	Galvanic isolation, reverse polarity protection, switching output acc. to EN 60947-5-6	Galvanic isolation, reverse polarity protection, binary input of a PLC acc. to EN 61131-2, P _{max} = 400 mW
Signal state	Non-conducting	≤1.0 mA
	Conductive	≥2.2 mA
Static destruction limit	32 V DC/24 V AC	16 V DC/50 mA
Binary output		
	NAMUR	PLC
Version	Galvanic isolation, reverse polarity protection, switching output acc. to EN 60947-5-6	Galvanic isolation, reverse polarity protection, binary input of a PLC acc. to EN 61131-2, P _{max} = 400 mW
Signal state	Non-conducting	≤1.0 mA
	Conductive	≥2.2 mA
Static destruction limit	32 V DC/24 V AC	16 V DC/50 mA
Binary input		
Version	Galvanic isolation, reverse polarity protection	
Voltage input	0 to 24 V DC	
Input resistance	≥7 kΩ	
ON switching state	U _e > 15 V	
OFF switching state	U _e < 11 V	
Static destruction limit	38 V DC/30 V AC	
Forced venting		
Version	Galvanic isolation, reverse polarity protection	
Voltage input	0 to 24 V DC	
Input resistance	≥7 kΩ	
Signal state	Active	U _e < 11 V
	Not active	U _e > 15 V
Static destruction limit	38 V DC/30 V AC	
Inductive limit switches		
Version	For connection to switching amplifier according to EN 60947-5-6, SJ2-SN proximity switches, reverse polarity protection	
Measuring plate not detected	≥3 mA	
Measuring plate detected	≤1 mA	
Static destruction limit	20 V DC	
Permissible ambient temperature	-50 to +85 °C	
Mechanical limit switches		
Floating contact	Changeover contact/SPDT (single-pole/double-throw type)	
Static destruction limit	38 V DC · 30 V AC · 0.2 A	
Permissible ambient temperature	-40 to +85 °C	

Pressure sensors

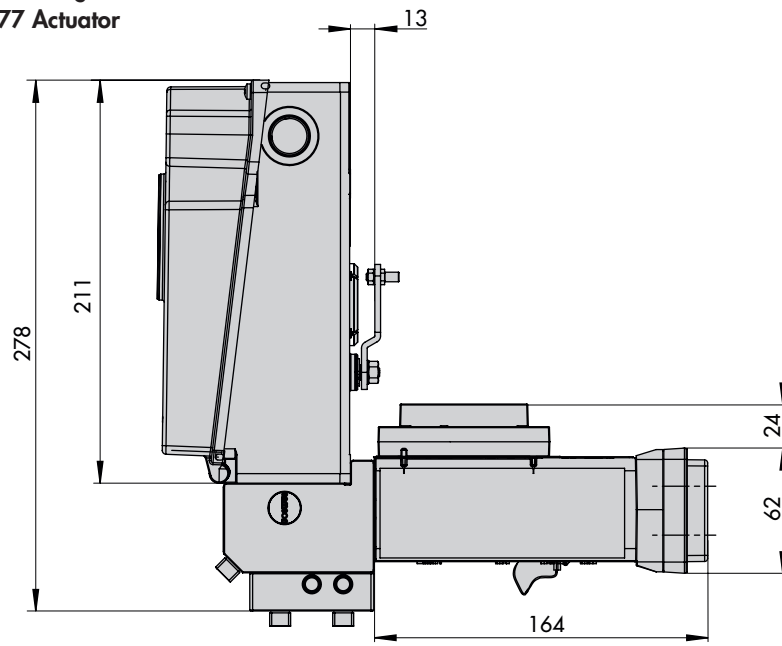
Pressure sensors	
Pressure range	0 to 14 bar
Permissible ambient temperature	-40 to +85 °C



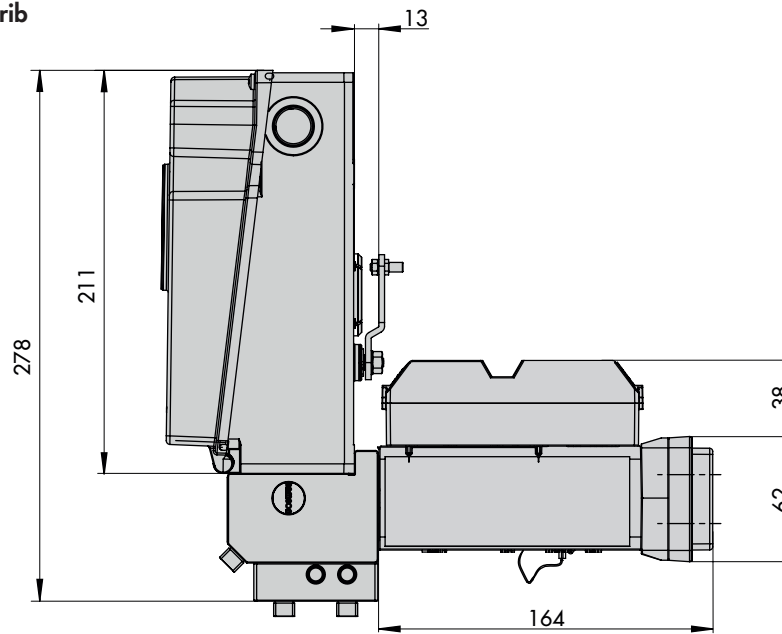
Attachment according to IEC 60534-6 (NAMUR)



Attachment according to VDI/VDE 3847
onto Type 3277 Actuator

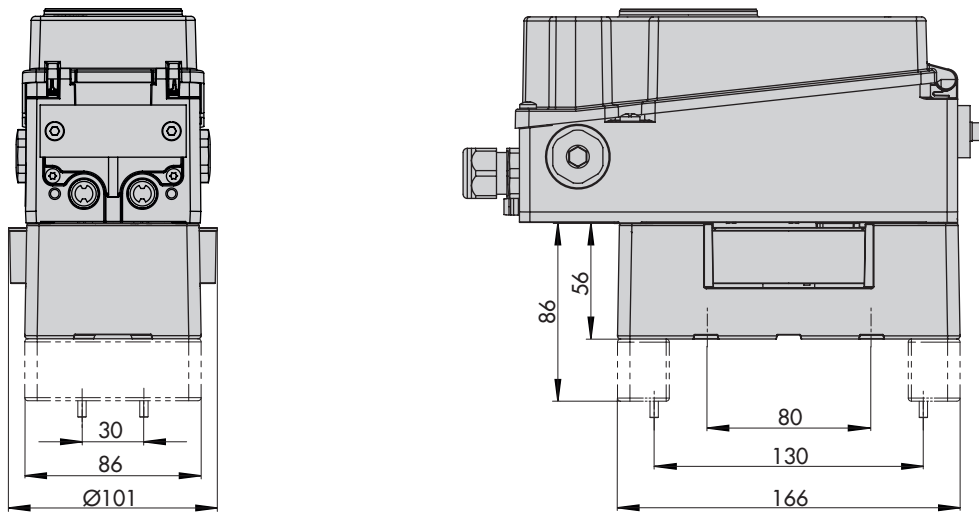


Attachment according to VDI/VDE 3847
to a NAMUR rib

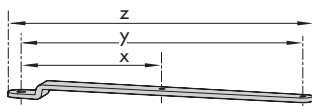


Attachment to rotary actuators according to VDI/VDE 3845

Fixing level 1, AA1 to AA4 size

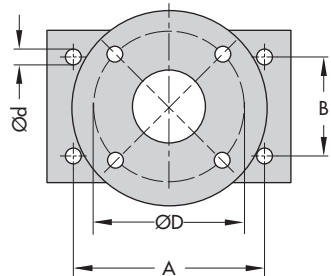
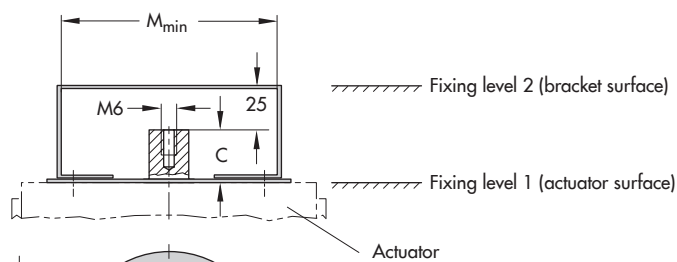


Lever



Lever	x	y	z
M	25 mm	50 mm	66 mm
L	70 mm	100 mm	116 mm
XL	100 mm	200 mm	216 mm
XXL	200 mm	300 mm	316 mm

Fixing levels according to VDI/VDE 3845 (September 2010)



Dimensions in mm

Size	A	B	C	Ød	M _{min}	D ¹⁾
AA0	50	25	15	5.5 for M5	66	50
AA1	80	30	20	5.5 for M5	96	50
AA2	80	30	30	5.5 for M5	96	50
AA3	130	30	30	5.5 for M5	146	50
AA4	130	30	50	5.5 for M5	146	50
AA5	200	50	80	6.5 for M6	220	50

¹⁾ Flange type F05 acc. to DIN EN ISO 5211

Article code

Positioner	TROVIS 3793-	x	x	x	0	x	x	x	x	x	x	x	x	0	0	0	x	0	x	0	x	0	0	9	9	x	x	
With LCD, autotune, HART® communication																												
Explosion protection																												
Without																												
ATEX II 2 G Ex ia IIC T4/T6 Gb		1	1	0																								
ATEX II 2 D Ex ia IIIC T 85 °C Db		5	1	0																								
ATEX II 3 G Ex nA IIC T4/T6 Gc		8	1	0																								
ATEX II 2 D Ex tb IIIC T 85 °C Db		8	5	0																								
IECEX Ex ia IIC T4/T6 Gb		1	1	1																								
IECEX Ex ia IIIC T 85 °C Db		5	1	1																								
IECEX Ex nA IIC T4/T6 Gc		8	1	1																								
IECEX Ex tb IIIC T 85 °C Db		8	5	1																								
IECEX Ex nA IIC T4/T6 Gc		1	3	0																								
FM IS Class I, II, III, Division 1, Groups A, B, C, D, E, F, G; Type 4X NI Class I, II, III, Division 2, Groups A, B, C, D, E, F, G; Type 4X Class I, Zone 1, AEx ia IIC; Type 4X																												
Pneumatics																												
Single/double acting, $K_v = 0.35$		0	1																									
Single/double acting, $K_v = 0.70$		0	2																									
Single acting, 2x independent $K_v = 0.35$		0	3																									
Option module 1 (slot C)																												
Without/dummy module																												
Software limit switches + Binary output (NAMUR), [N]		1	0																									
Software limit switches + Binary output (PLC), [X] ¹⁾		1	1																									
Position transmitter + Binary input/output (NAMUR), [T]		4	0																									
Forced venting + Binary input/output (NAMUR), [V]		8	0																									
Option module 2 (slot D)																												
Without/dummy module																												
Software limit switches + Binary output (NAMUR), [N]		1	0																									
Software limit switches + Binary output (PLC), [X] ¹⁾		1	1																									
Inductive limit switches + Binary output (NAMUR), [P]; -50 to +85 °C		1	5																									
Mechanical limit switches, [M]; -40 to +85 °C		3	0																									
Position transmitter + Binary input/output (NAMUR), [T]		4	0																									
Pressure sensors																												
Without																												
Standard (Supply 9, Output 138, Output 238); -40 to +85 °C		1																										
Electrical connection																												
M20 x 1.5 (one cable gland, three blanking plugs)																												
		1																										
½-14 NPT (one cable gland, three blanking plugs)																												
		4																										
Housing material																												
Aluminum (standard)																												
		0																										
Special applications																												
Without																												
		0																										
Additional certification																												
Without																												
		0																										

¹⁾ The option module for *Software limit switches + Binary output (PLC), [X]* is not available in the explosion-protection version.

Positioner	TROVIS 3793- x x x 0 x x x x x x x x 0 0 0 x 0 x 0 x 0 0 9 9 x x																			
Permissible ambient temperature																				
Standard: -20 to +85 °C, plastic cable gland	0																			
-40 to +85 °C metal cable gland	1																			
-55 to +85 °C, low-temperature version with metal cable gland	2																			
Display text in different languages																				
Standard (English and German)										0										
Special version																				
Without													0							
Cover without window													1							
Hardware version																				
Index: 00																		9	9	
Firmware version																				
1.00.05																			9	6

